

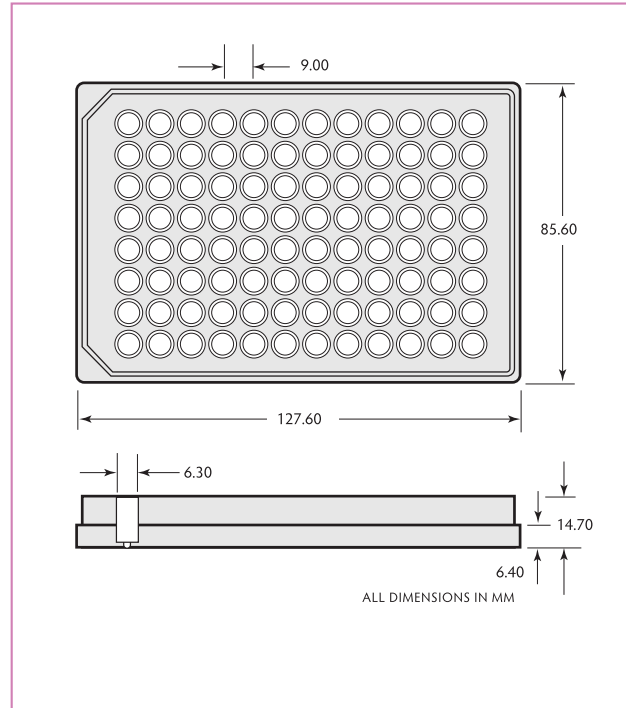
Filtration plates

Filtration plates are used in their simplest form to remove particulate matter from liquid. Either the particulate matter or the filtrate is needed for further study.

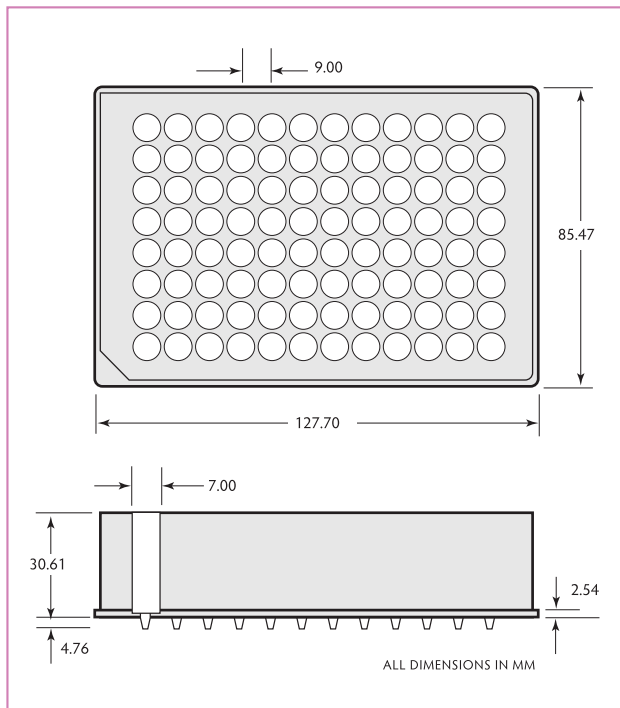
Porvair Sciences has a range of filter plates to suit most filtration applications. The company has optimised filter plates for applications including cell harvesting, DNA separations, binding studies, Plasmid isolation, general filtration and sample clean up.

Porvair has a full range of 48-, 96- and 384-well microplates with a choice of glass fibre, nylon, PVDF or polyethylene filtration materials and well volumes ranging from 350µl to 5ml.

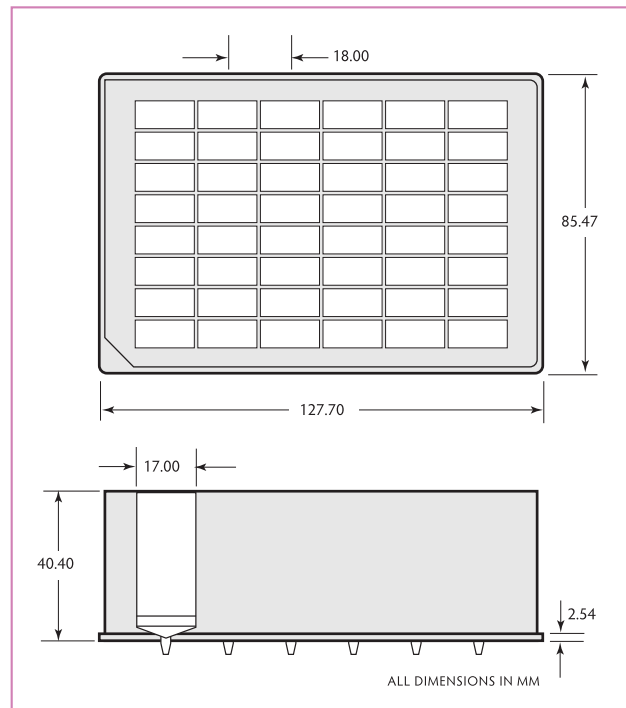
- Polystyrene and polypropylene filter plates
- Long and short drip directors
- Each well has an individual drainage spout ensuring 100% sample transfer
- Manufactured from ultra pure grade polymer
- Standard ANSI/SBS footprint
- Robot friendly
- Fit standard vacuum manifold



350µl/well



800µl/well



5ml/well

Filtration plates

No & vol. of wells	Plate, filter material and pore size	Qty/pack	Cat. no.
48 wells of 7.5ml	Polypropylene, polyethylene, mean pore size 25 microns, long drip	15	360053
48 wells of 5ml	Polypropylene, polyethylene filter, mean pore size 10 to 20 microns	25	360008
96 wells of 300µl	Polypropylene, UHMW polyethylene, mean pore size 25 microns, short drip	50	360047
96 wells of 300µl	Polypropylene, UHMW polyethylene, mean pore size 25 microns, long drip	50	360041
96 wells of 300µl	Polypropylene, glass fibre, mean pore size 0.7 microns, short drip	50	360052
96 wells of 300µl	Polypropylene, glass fibre, mean pore size 0.7 microns, long drip	50	360046
96 wells of 300µl	Polypropylene, glass fibre, mean pore size 1.0 microns, short drip	50	360051
96 wells of 300µl	Polypropylene, glass fibre, mean pore size 1.0 microns, long drip	50	360045
96 wells of 300µl	Polypropylene, glass fibre, mean pore size 1.2 microns, short drip	50	360048
96 wells of 300µl	Polypropylene, glass fibre, mean pore size 1.2 microns, long drip	50	360042
96 wells of 300µl	Polypropylene, glass fibre, mean pore size 3.0 microns, long drip	50	360066
96 wells of 300µl	Polypropylene, hydrophilic PVDF, mean pore size 0.45 microns, short drip	50	360049
96 wells of 300µl	Polypropylene, hydrophilic PVDF, mean pore size 0.45 microns, long drip	50	360043
96 wells of 300µl	Polypropylene, polypropylene, mean pore size 0.45 microns, short drip	50	360050
96 wells of 300µl	Polypropylene, polypropylene, mean pore size 0.45 microns, long drip	50	360044
96 wells of 300µl	Polypropylene, PVDF, mean pore size 1.0 microns with a polyprop back, short drip	50	360070
96 wells of 300µl	Polypropylene, black, hydrophilic PVDF, mean pore size 0.2 microns, short drip	50	360060
96 wells of 300µl	Polypropylene, black, polypropylene, mean pore size 0.45 microns, short drip	50	360064
96 wells of 350µl	Polystyrene, glass fibre, mean pore size 1.9 microns	50	230001
96 wells of 350µl	Polystyrene, glass fibre, mean pore size 1.3 microns	50	230002
96 wells of 350µl	Polystyrene, glass fibre, mean pore size 1.7 microns	50	230003
96 wells of 350µl	Polystyrene, glass fibre, mean pore size 6.0 microns	50	230004
96 wells of 400µl	Polypropylene, UHMW polyethylene, mean pore size 25 microns, short drip	25	360035
96 wells of 400µl	Polypropylene, UHMW polyethylene, mean pore size 25 microns, long drip	25	360026
96 wells of 400µl	Polypropylene, glass fibre, mean pore size 0.7 microns, short drip	25	360040
96 wells of 400µl	Polypropylene, glass fibre, mean pore size 0.7 microns, long drip	25	360017
96 wells of 400µl	Polypropylene, glass fibre, mean pore size 1.0 microns, short drip	25	360039
96 wells of 400µl	Polypropylene, glass fibre, mean pore size 1.0 microns, long drip	25	360028
96 wells of 400µl	Polypropylene, glass fibre, mean pore size 1.2 microns, short drip	25	360036
96 wells of 400µl	Polypropylene, glass fibre, mean pore size 1.2 microns, long drip	25	360016
96 wells of 400µl	Polypropylene, hydrophilic PVDF, mean pore size 0.45 microns, short drip	25	360037
96 wells of 400µl	Polypropylene, hydrophilic PVDF, mean pore size 0.45 microns, long drip	25	360027
96 wells of 400µl	Polypropylene, polypropylene, mean pore size 0.45 microns, short drip	25	360038
96 wells of 400µl	Polypropylene, polypropylene, mean pore size 0.45 microns, long drip	25	360020
96 wells of 400µl	Polypropylene, PES, pore size 10kD, short drip	25	360061
96 wells of 400µl	Polypropylene, PES, pore size 30kD, short drip	25	360062
96 wells of 400µl	Polypropylene, PES, pore size 100kD, short drip	25	360118
96 wells of 400µl	Polypropylene, PES, pore size 300kD, short drip	25	360119



Filtration plates

No & vol. of wells	Plate, filter material and pore size	Qty/pack	Cat. no.
96 wells of 800µl	Polypropylene, UHMW polyethylene, mean pore size 25 microns, short drip	25	360029
96 wells of 800µl	Polypropylene, glass fibre, mean pore size 0.7 µm, short drip	25	360034
96 wells of 800µl	Polypropylene, glass fibre, mean pore size 0.7 µm, long drip	25	360025
96 wells of 800µl	Polypropylene, glass fibre, mean pore size 1.0 microns, short drip	25	360033
96 wells of 800µl	Polypropylene, glass fibre, mean pore size 1.0 microns, long drip	25	360024
96 wells of 800µl	Polypropylene, glass fibre, mean pore size 1.2 microns, short drip	25	360030
96 wells of 800µl	Polypropylene, glass fibre, mean pore size 1.2 microns, long drip	25	360022
96 wells of 800µl	Polypropylene, glass fibre, mean pore size 3.0 microns, long drip	25	360075
96 wells of 800µl	Polypropylene, glass fibre, mean pore size 13.0 microns, long drip	25	360076
96 wells of 800µl	Polypropylene, glass fibre, mean pore size 0.7 microns and a polyethylene frit, long drip	25	360065
96 wells of 800µl	Polypropylene, hydrophilic PVDF, mean pore size 0.45 microns, short drip	25	360031
96 wells of 800µl	Polypropylene, hydrophilic PVDF, mean pore size 0.45 microns, long drip	25	360023
96 wells of 800µl	Polypropylene, polypropylene, mean pore size 0.45 microns, short drip	25	360032
96 wells of 800µl	Polypropylene, polypropylene, mean pore size 0.45 microns, long drip	25	360019
96 wells of 800µl	Polypropylene, polyethylene, mean pore size 10 to 20 microns, long drip	25	360011
96 wells of 800µl	Polypropylene, Hydrophilic CA, mean pore size 0.2 microns, long drip	25	360055
96 wells of 2ml	Polypropylene, UHMW PE, mean pore size 25 microns, long drip	25	360056
96 wells of 2ml	Polypropylene, glass fibre, mean pore size 0.7 microns, long drip	25	360057
96 wells of 2ml	Polypropylene, polycarbonate, mean pore size 2.0 microns, long drip	25	360071
96 wells of 2ml	Polypropylene, GF 3.0 µm & polypropylene 10 µm, long drip	25	360063
96 wells of 2ml	Polypropylene, polypropylene, mean pore size 0.45 microns, long drip	25	360058
96 wells of 2ml	Polypropylene, polyethylene mean pore size 25 microns, long drip	25	360021
96 wells of 2ml	Polypropylene, Hydrophilic PES, mean pore size 0.45 microns, long drip	25	360059
96 wells of 2ml	Polypropylene, glass fibre, 5.0 microns, long drip	25	360114
96 wells of 2ml	Polypropylene, Affymetrix, SNP 5.0 assay DNA prep plate	10	360090
384 wells of 140µl	Polypropylene, glass fibre 0.7 microns, short drip	10	360068
384 wells of 140µl	Polypropylene, glass fibre 0.7 microns, long drip	10	360073
384 wells of 140µl	Polypropylene, glass fibre 1.2 microns, short drip	10	360067
384 wells of 140µl	Polypropylene, glass fibre 3.0 microns, short drip	10	360069
384 wells of 140µl	No filter, long drip	10	360107
384 wells of 140µl	Filter bottom, GF 5.0µm, long drip	10	360108
96 wells of 250µl	Filter bottom, UHMW PE 25µm, short drip	25	360109
96 wells of 300µl	Filter bottom, GF 1.0µm, medium drip	50	360110
96 wells of 300µl	Filter bottom, Hydrophilic PVDF 1.2µm, short drip	50	360105
48 wells of 7ml	No filter, long drip directors	30	360111
96 wells of 1ml Plate	Filter bottom, 96-well, half skirt, 0.7µm GF & 25µm PE, Qiagen fit	35	361001
96 wells of 1ml Plate	Filter bottom, 96-well, half skirt, 0.7µm GF, Qiagen fit	35	361002
96 wells of 1ml Plate	Filter bottom, 96-well, half skirt, 25µm PE, Qiagen fit	35	361003
96 wells of 1ml Plate	96 well, polypropylene, short skirt, turbine tip filter, empty	35	361004



Filter bottom microplate application guide

Solvent resistant	Application	Filter	Drip detector	Vol (µl/well)	Cat. no.
Low Biomolecule Binding	YAC (Yeast Cloning Assays)	Hydrophilic	Short	300	360043
	DNA extraction from agarose gel	PVDF 0.45µm		400	360037
	Dye Terminator Clean Up			800	360031
	Sequencing Reaction Clean Up				
	DNA/RNA Purification				
	Ni-Nta				
	Affinity Bead				
	Streptavidin/biotin bead				
	Chromatography beads/resins		Long	300	360049
	Purified cloned receptors			400	360027
	Cell Based Receptor Binding			800	360023
	Signal transduction				
	Phosphodiesterase				
	Protein or nucleic acid desalt				
	Cell membrane				
Neonatal Screening					
Vesicle Assay					
Low Biomolecule Binding	Dye Terminator Removal	UHMW PE	Short	300	360047
	Dye Terminator Clean Up	25µm		400	360035
	Sequencing Reaction Clean Up			800	360029
			Long	300	360041
				400	360026
				800	360011
Low Biomolecule Binding				2000	360056
	Solid Phase Extraction (SPE)	P E Frit 25µm	Long	2000	360021
				5000	360008
Low Biomolecule Binding	YAC (Yeast Cloning Assays)	Polypropylene	Short	300	360050
	Bacterial DNA prep for PCR	0.45µm		400	360038
	Alumina			800	360032
	Cell fragments/membranes				
	Whole Cells				
	Protease assays				
	Phosphodiesterase				
	Antibody neutralization		Long	300	360044
	Mammalian Cells Capture			400	360020
	Calcium uptake			800	360019
	Dual assay: Ca + receptor			2000	360058
Microsomes					
Solid Phase Radioimmunoassays					
High Biomolecule Binding	DNA Binding	Glass fibre	Long	140	360073
	Lysate Clarification	0.7µm		400	360017
				800	360025
				2000	360057
High Biomolecule Binding	Cell homogenates, crude	Glass fibre	Short	300	360051
	DNA Binding	1.0µm		400	360039
	DNA Isolation			800	360033
	DNA/RNA Purification				
	PCR Clean up				
	Plasmid Minipreps		Long	300	360045
	Recovering DNA from gels			400	360028
	Reverse Transcriptase			800	360024
	Sample Clean up				
High Biomolecule Binding	M13 phage preps	Glass fibre	Short	140	360067
	Thymidine Uptake	1.2µm		300	360048
	Cell homogenates, crude			400	360036
				800	360030
	Cell fragments/membranes		Long	140	360072
	Cytotoxic/Cell Proliferation			300	360042
	Signal transduction			400	360016
	Mammalian Cells Capture			800	360022